

## Modular Cooking Range Line 700XP 4-Hot Square Plates Electric Boiling Top Range on Electric Oven

ITEM # \_\_\_\_\_

MODEL # \_\_\_\_\_

NAME # \_\_\_\_\_

SIS # \_\_\_\_\_

AIA # \_\_\_\_\_


**371018 (E7ECEH4QE0)**

4-Hot Square Plate (2,6 kW each) electric Range on electric Oven (6 kW)

**371129 (E7ECEH4QEN)**

4-Hot Square Plate (2,6 kW each) electric Range on electric Oven (6 kW)

### Short Form Specification

**Item No.** \_\_\_\_\_

To be installed on stainless steel feet with height adjustment up to 50 mm. Four 2.6 kW square cast-iron hot plates hermetically sealed to the one-piece top. Stainless steel oven chamber with 3 levels of runners to accommodate 2/1 GN shelves (2 steam pans). Ribbed oven base plate. Exterior panels in stainless steel with Scotch Brite finish. One piece pressed work top in 1.5 mm thick stainless steel. Right-angled side edges to allow flush-fitting junction between units.

### Main Features

- The four 2.6kW cast-iron square plates are hermetically sealed to the one-piece top.
- Base compartment consists of an electric standard oven with thick oven door for heat insulation, positioned beneath the base plate.
- Electric oven to have separate thermostats for top and bottom heating elements.
- Stainless steel oven chamber with 3 levels of runners to accommodate 2/1 GN shelves (2 steam pans).
- Ribbed enamelled steel oven base plate.
- Oven thermostat adjustable from 140 °C to 300 °C.
- The special design of the control knob system guarantees against water infiltration.
- IPx4 water protection.

### Construction

- All exterior panels in Stainless Steel with Scotch Brite finishing.
- One piece pressed 1.5 mm work top in Stainless steel.
- Model has right-angled side edges to allow flush fitting joints between units, eliminating gaps and possible dirt traps.

### Included Accessories

- 1 of GN2/1 chrome grid for static oven PNC 164250

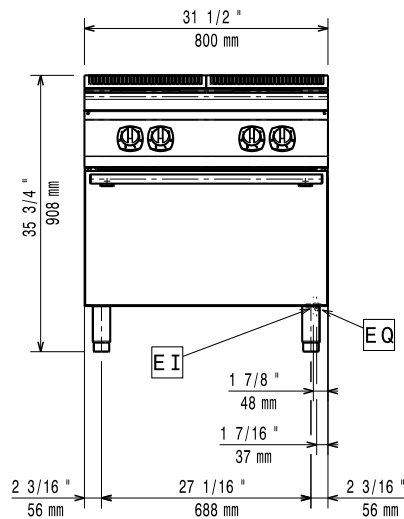
### Optional Accessories

- GN2/1 chrome grid for static oven PNC 164250
- Junction sealing kit PNC 206086
- Kit 4 wheels - 2 swivelling with brake - it is mandatory to install Base support and wheels PNC 206135
- Flanged feet kit PNC 206136
- Frontal kicking strip for concrete installation, 800mm PNC 206148
- Frontal kicking strip for concrete installation, 1000mm PNC 206150
- Frontal kicking strip for concrete installation, 1200mm PNC 206151
- Frontal kicking strip for concrete installation, 1600mm PNC 206152
- 2 cast iron plate bars for electric cooking top (only for 371018) PNC 206168
- Frontal kicking strip, 800mm (not for refr-freezer base) PNC 206176
- Frontal kicking strip, 1000mm (not for refr-freezer base) PNC 206177
- Frontal kicking strip, 1200mm (not for refr-freezer base) PNC 206178
- Frontal kicking strip, 1600mm (not for refr-freezer base) PNC 206179

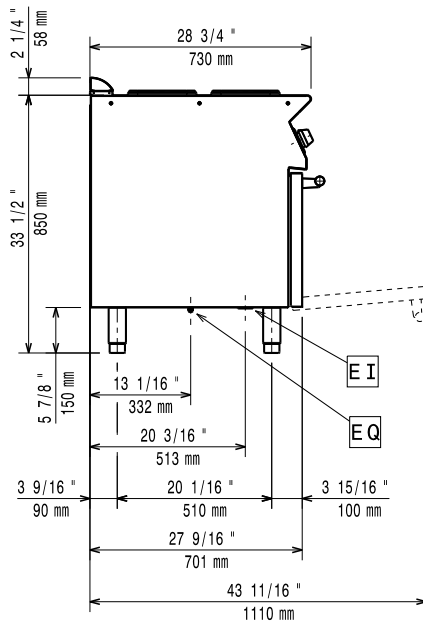
**APPROVAL:** \_\_\_\_\_

- Kit 4 feet for concrete installation (not for 900 line free standing grill) PNC 206210
- Pair of side kicking strips PNC 206249
- Pair of side kicking strips for concrete installation PNC 206265
- Water column with swivel arm (water column extension not included) PNC 206289
- Water column extension for 700 line PNC 206291
- Chimney upstand, 800mm PNC 206304
- Right and left side handrails PNC 206307
- Back handrail 800 mm PNC 206308
- Base support for feet or wheels - 800mm (700/900) PNC 206367
- Base support for feet or wheels - 1200mm (700/900) PNC 206368
- Base support for feet or wheels - 1600mm (700/900) PNC 206369
- Base support for feet or wheels - 2000mm (700/900) PNC 206370
- Rear paneling - 800mm (700/900) PNC 206374
- Rear paneling - 1000mm (700/900) PNC 206375
- Rear paneling - 1200mm (700/900) PNC 206376
- Chimney grid net, 400mm (700XP/900) PNC 206400
- 2 side covering panels for free standing appliances PNC 216000
- Frontal handrail, 800mm PNC 216047
- Frontal handrail, 1200mm PNC 216049
- Frontal handrail, 1600mm PNC 216050
- Large handrail - portioning shelf, 800mm PNC 216186

Front

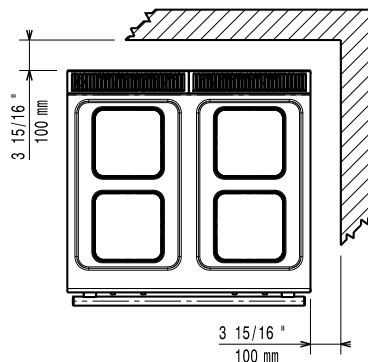


Side



EI = Electrical inlet (power)  
 EQ = Equipotential screw

Top



### Electric

#### Supply voltage:

371018 (E7ECEH4QE0)	380-400 V/3 ph/50/60 Hz
371129 (E7ECEH4QEN)	230 V/3 ph/50/60 Hz

#### Total Watts:

16.4 kW

#### Predisposed for:

371018 (E7ECEH4QE0)	380-400V 3~ 50/60Hz
	14,6-16,4kW

### Key Information:

Front Plates Power:	2.6 - 2.6 kW
Back Plates Power:	2.6 - 2.6 kW
Front Plates dimensions:	230x230 230x230
Back Plates dimensions:	230x230 230x230
Oven working Temperature:	140 °C MIN; 300 °C MAX

#### Oven Cavity Dimensions (width):

540 mm

#### Oven Cavity Dimensions (height):

300 mm

#### Oven Cavity Dimensions (depth):

650 mm

#### External dimensions, Width:

800 mm

#### External dimensions, Depth:

730 mm

#### External dimensions, Height:

850 mm

#### Net weight:

80 kg

#### Shipping weight:

371018 (E7ECEH4QE0)	104 kg
371129 (E7ECEH4QEN)	95 kg

#### Shipping height:

371018 (E7ECEH4QE0)	1080 mm
371129 (E7ECEH4QEN)	1140 mm

#### Shipping width:

820 mm

#### Shipping depth:

860 mm

#### Shipping volume:

371018 (E7ECEH4QE0)	0.76 m <sup>3</sup>
371129 (E7ECEH4QEN)	0.8 m <sup>3</sup>

If appliance is set up or next to or against temperature sensitive furniture or similar, a safety gap of approximately 150 mm should be maintained or some form of heat insulation fitted.

#### Certification group:

371018 (E7ECEH4QE0)	EH740
371129 (E7ECEH4QEN)	N7CE1