

Electrolux Ice Makers

130 KG

The range of Electrolux ice makers/flakers is designed to meet every size of catering outlet, with a range of models producing from 21 - 200 kg of cubes per 24 hours or 90 - 500 kg of ice flakes per 24 hours. A spray system produces solid, crystal clear ice cubes and flakes that are slow to melt and do not immediately dilute the drink.



730531

EASY TO INSTALL

- All units are supplied with flexible water supply and drain hoses.
- Plug as standard.
- Suitable for gravity drain only.

EASY TO CLEAN

- AISI 304 stainless steel exterior.
- Food grade ABS interior.
- Stainless steel spray arms removable without the use of tools.

EASY TO USE

- Fully automatic in operation.
- Operates over a wide range of temperatures.

EASY TO MAINTAIN

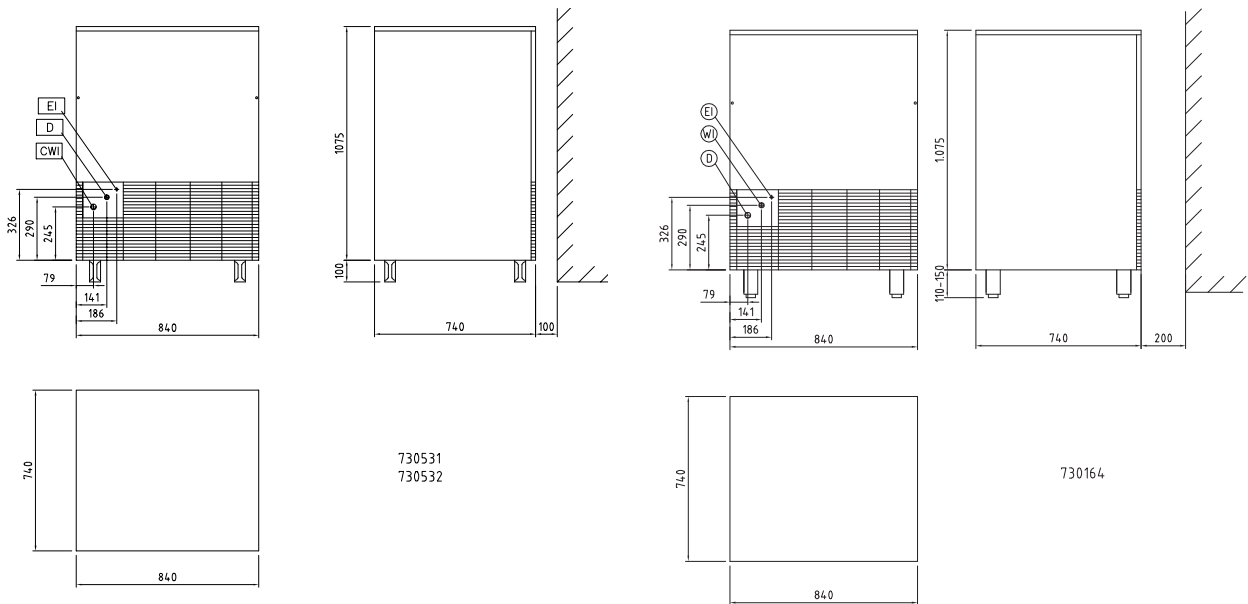
- Access to main components from the front.
- Efficient air or water cooling system.
- In compliance with CE requirements.

EASY ON THE ENVIRONMENT

- Rated output is at an ambient air temperature of 21°C and water supply temperature of 15°C.



 **Electrolux**



	RIMC143SA 730531	RIMC143SW 730532	FGC130A42 730164
LEGEND			
CWI - Cold water inlet	3/4"	3/4"	3/4"
D - Water drain	24mm	24mm	24mm
EI - Electrical connection	220/240 V, 1N, 50	220/240 V, 1N, 50	220/240 V, 1N, 50
TECHNICAL DATA			
Air cooled	●		●
Water cooled		●	
Output - kg/day	130	130	130
Kind of cube	A - 18g	A - 18g	E - 42g
External dimensions - mm			
width	840	840	840
depth	740	740	740
height	1075	1075	1075
Refrigerant type	R404a	R404a	R404a
Power - kW			
installed-electric	1.05	1.05	1.05
Net weight - kg.	113	113	113
Power supply - V, phases, Hz	220/240 V, 1N, 50	220/240 V, 1N, 50	220/240 V, 1N, 50