

XpressChef™

Project #: _____

Item #: _____



Market Regions: Asia & Oceania

XpressChef™ 2c Series | Heavy Volume
This category of high speed oven is ideal for...

Applications

- Cafés
- Bakeries
- Wine bars
- Pubs
- Supermarkets
- Convenience stores
- Country clubs
- Kiosks

Through put potential by oven wattage (quantity per hour)

Food item	1400W	1900W
Lava Cake	36	36
Chicken Pot Pie	15	19
Biscuits (6)	14	14
Scones	16	18
Baked Brie	14	16
Artichoke Dip	25	27
30cm (12") Pizza	12	15
Large Baked Potato	9	11

Location of Oven(s)

- Kitchen shelf
- Kitchen counter top, single or stacked
- Equipment stand, single or stacked

All ACP, Inc. commercial ovens are supported by our Culinary Center. Do not hesitate to contact us for any questions regarding food preparation, menu development and cooking times: testkitchen@acpsolutions.com



High Speed Combination Oven XpressChef™ 2c Series

Combines cooking energies for superior baking results FAST!

- 2700W Convection enhances toasting and browning
- 95°– 250°C (200°– 475°F) temperature range
- 1400 or 1900W top antenna feed microwave system heats quickly, reduces cooking time
- Flexible cooking platform. Use any combination of convection and microwave

Simplifies cooking

- **Ventless Options:** "V" models feature built-in catalytic converter for ventless operation
- Stackable without a kit, to increase throughput and save valuable counter space
- 34 liter (1.2 cubic ft.) oven capacity easily accommodates a 30cm (12") pizza

Multi-language universal operation, with programming flexibility

- Oven interface and programming software support 20 languages
- Smart USB connectivity standard
- Compatible with ACP Programming Application
- Stores up to 100 programmable menu items

Cuts Costs

- Uses less energy than a conventional oven
- Eliminates need for pre-cooking and holding
- Uses quarter-size metal trays, pans and screens

Easy to Use and Maintain

- Stainless steel exterior and interior
- Door opens 90°+ for full access to the oven cavity

Optional Accessories

- Oven paddle (PA10)
- Magnetic air filter (AF10)
- Panini grill plate (JR10)
- Pizza Stone (ST10C)
- Drip Tray/Griddle (DR10)
- Non-stick baskets (TB10/S, SB10/S, MB10/S)
- Non-stick cavity liners (TL12)
- Oven floor liner (OV10)
- Stainless cart/equipment stands: (CA24, CA30)
- Replacement oven rack (RA14)

Warranty

Warranty Certificate for this product can be found on the ACP, Inc. website at www.acpsolutions.com/warranty



Safety and Sanitation

This ACP, Inc. product meets and exceeds safety and sanitation standards set for commercial microwave ovens by UL, ETL, NSF, CSA, FDA, CE, Bureau of Standards, Metrology and Inspection (BSMI), Bureau of Indian Standards (BIS), Standards Association of Australia (SAA) Regulatory Compliance Mark (RCM) certified, and Korea Certification (KC).



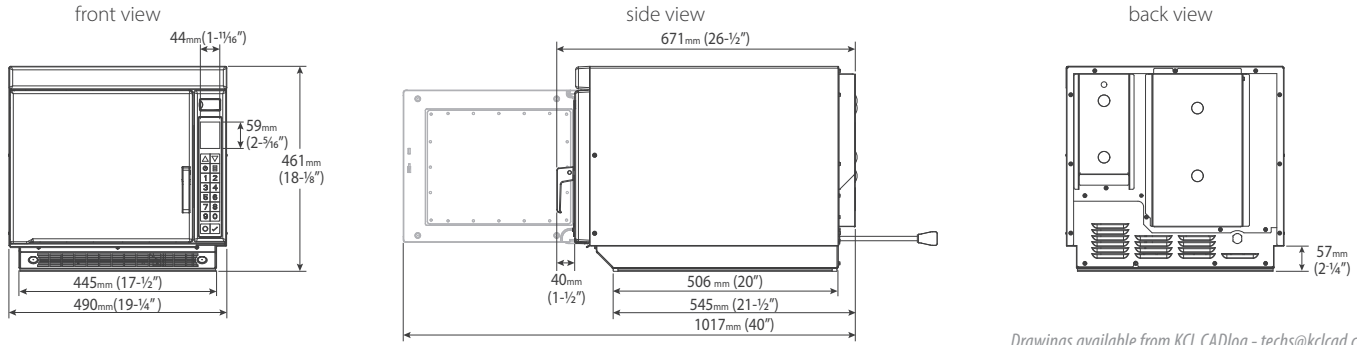
For other market regions, please see product literature online



© 2020 ACP, Inc.
Cedar Rapids, Iowa 52404

XpressChef™ 2c Series | High Speed Combination Oven

Asia & Oceania



Drawings available from KCL CADlog - techs@kclcad.com

Dimensions

Exterior	H 461 (18 1/8")	W 490 (19 1/4")	D† 671 (26 1/2")
Cavity	H 267 (10 1/2")	W 330 (13")	D 381 (15")
Usable Cavity Space	34 liter (1.2 cubic ft.)		
Door Depth	1017 (40"), 90°+ door open		
Installation Clearance	Top: 102 (4")	Sides: 25 (1")	Back: None
Shipping Carton	H 546 (21 1/2")	W 540 (21 1/4")	D 756 (29 3/4")
Weight			
Model Type	Product Weight	Ship weight (approx.)	
With catalytic converter	51 kg. (112 lbs)	53 kg. (116 lbs)	
Without catalytic converter	50 kg. (111 lbs)	52 kg. (115 lbs)	

Features

Configuration	Countertop
Stackable	Yes, without kit
Display	71 (2.8") Color LCD
USB Port	Yes
Internet Connectivity	No
Control System	Touchpad
Programmable Control	Yes, 10 pads
Braille	Overlay available
Settings Programmable	100
Temperature Range	95°– 250°C (200°– 475°F)
Microwave Distribution	Rotating antennas, top
Power Levels	11
Defrost	Yes, microwave only, power level 2
Time Entry Option	Yes
Stage Cooking	Yes, 4 stages
Air Filter	Non-removable with cleaning reminder**
Rack	2 positions, 1 removable rack
Door Handle	Lift & Pull
Exterior Finish	Stainless steel
Interior Finish	Stainless steel

ACP, Inc. requires installing a type D circuit breaker for all high-speed oven installations.

Measurements are millimeters. Measurements in () are US Standard

* IEC 60705 Tested

** Removable magnetic air filter accessory available (#AF10)

† Includes handle

‡ Catalytic converter filters grease and odors from the air. This product conforms to the Ventless Operation Recommendations set forth by NFPA96 using EPA202 test method

Electrical Configuration

Region	Model#/ UPC	Auto. Voltage Sensor	Max. Cooking Time	Catalytic Converter	Power Consumption	Power Output		Power Source	Plug Configuration	Cord Length	Frequency	Magnetron
						Microwave*	Convection					
Australia single phase	JETS14A 728028376968	No	20:00	No	2900W, 13A	1400W*	2700W	230V, 50Hz, 15A, single phase	Type 1 Australia	1.5m (5 ft.)	2450MHz	2
China single phase	JETS14C 728028244786	No	20:00	No	2900W, 13A	1400W*	2700W	220V, 50Hz, 16A, single phase	China 3-Pin Angle type	1.5m (5 ft.)	2450MHz	2
China single phase	JETS14VC 728028423020	No	20:00	Yes‡	2900W, 13A	1400W*	2700W	220V, 50Hz, 16A, single phase	China 3-Pin Angle type	1.5m (5 ft.)	2450MHz	2
India single phase	JETS14I 728028316056	No	20:00	No	2900W, 13A	1400W*	2700W	230V, 50Hz, 16A, single phase	BS546	1.5m (5 ft.)	2450MHz	2
Korea single phase	JET14K 728028376913	No	20:00	No	3200 W, 16A	1400W*	2700W	220V, 60Hz, 16A, single phase	KS approved Type F	1.5m (5 ft.)	2450MHz	2
Korea single phase	JET14VK 728028377071	No	20:00	Yes‡	3200 W, 16A	1400W*	2700W	220V, 60Hz, 16A, single phase	KS approved Type F	1.5m (5 ft.)	2450MHz	2
Taiwan multi phase	JET14VT 728028422931	No	20:00	Yes‡	3300W, 16A	1400W*	2700W	380V, 60Hz, 16A, 3phase	Direct Wire	1.5m (5 ft.)	2450MHz	2

Specification #:

AIA File #:



225 49th Ave. Dr. SW, Cedar Rapids, IA 52404 U.S.A.
800-233-2366 • 319-368-8120 • Fax: 319-368-8198
www.acpsolutions.com

Part No. 20271503

Updated 12/16/2019

© 2020 ACP, Inc., Cedar Rapids, Iowa 52404

an Ali Group Company



The Spirit of Excellence