



E83 & E84 FOOD WARMERS

Thermostat control

Temperature display

Stay-cool door handles

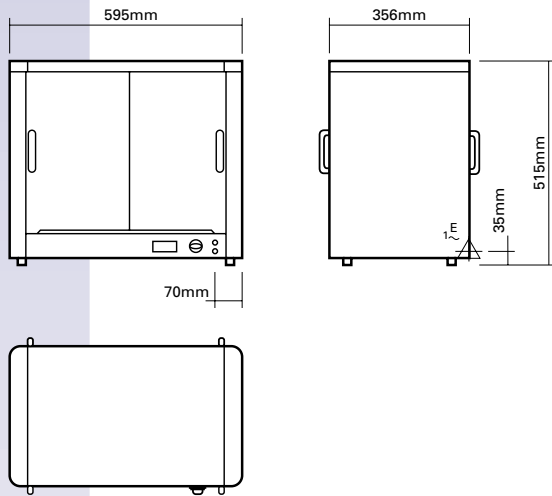
Easy-clean removable glass doors

Anti-pilfer door locking clip

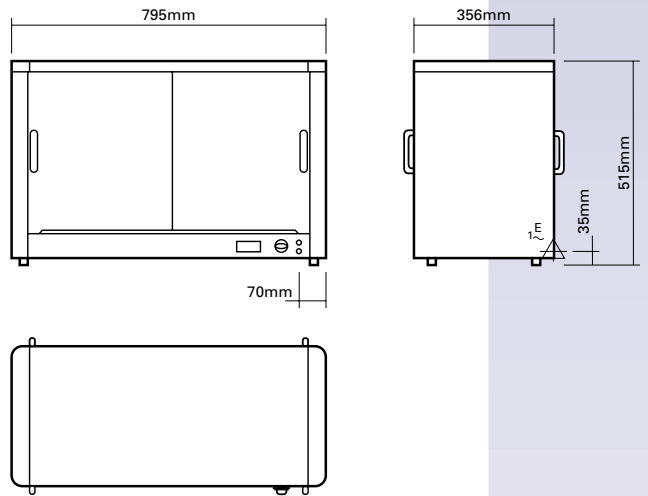
Solid glass back option (no extra cost)

Plugs into 10A power supply

E83 Food Warmer



E84 Food Warmer



SPECIFICATIONS

Capacity	E83 50 pies E84 80 – 100 pies
Rack sizes	E83 4 racks, 493 x 295mm E84 4 racks, 693 x 295mm
Power Supply	E83 220-240V 800W 3.4A E84 220-240V 1100W 4.6A
Shipping Data	E83 19.5kg, 0.16m ³ packed E84 25kg, 0.21m ³ packed



The cabinet temperature is accurately controlled by thermostat and the handy addition of a temperature display conforms to current health and hygiene requirements.



Ask for brochures for all Bakbar models from your nearest distributor



ISO9001

All Bakbar products are designed and manufactured by Moffat using the internationally recognised ISO9001 quality management system, covering design, manufacture and final inspection, ensuring consistent high quality at all times.



www.moffat.com.au

Australia
Moffat Pty Ltd

Victoria/Tasmania
740 Springvale Road
Mulgrave, Victoria 3170
Telephone 03-9518 3888
Facsimile 03-9518 3833
Email vsales@moffat.com.au
www.moffat.com.au

New South Wales
Telephone 02-8833 4111
Email nswsales@moffat.com.au

South Australia
Telephone 08-8274 2116
Email dmiller@moffat.com.au

Queensland
Telephone 07-3630 8600
Email qldsales@moffat.com.au

Western Australia
Telephone 08-9562 0263
Email jberent@moffat.com.au

New Zealand
Moffat Ltd

Christchurch
Telephone 03-389 1007
Email sales@moffat.co.nz
www.moffat.co.nz

Auckland
Telephone 09-574 3150
Email sales@moffat.co.nz