

700XP

6 Burner Freestanding Gas Ranges

The 700XP range is comprised of over 100 models designed to guarantee the highest level of performance, reliability, energy saving, safety standards and ergonomic operation. These concepts are reflected throughout the line in its modularity, construction and numerous configurations: countertop (on base or table), free-standing, on concrete or stainless steel plinth, bridged or cantilever. Thanks to its advance technology and premium performance, 700XP is a perfect solution for institutions of small sizes with limited footprint as well as restaurants needing to obtain the most from the kitchen space. The models detailed in this sheet are 6 burner gas ranges on gas or electric standard or large oven.



371005

EASY TO INSTALL

- Main connections are accessible from below the base of the unit.
- Access to all components from the front.

EASY TO CLEAN

- One piece pressed worktop in 1,5mm stainless steel with smooth, rounded corners.
- Exterior panels in stainless steel with Scotch Brite finish.
- All models have right-angled, laser cut side edges to allow flush-fitting of units side-by-side thus eliminating gaps and possible dirt traps.
- Pan supports are in cast iron.
- Optional accessory twin burner stainless steel pan support available (washable in a dishwasher).

- Recessed, double skinned, insulated door for air-tight closure and better hygiene.
- Oven cavity in stainless steel with vitreous enamelled ribbed base plate to allow for the direct placement of pans. On model 371173 the oven cavity is in enamelled steel.
- Feet in stainless steel adjustable up to 50mm in height.

EASY TO USE

- The freestanding gas burner range is ideal for kitchens needing a flexible, powerful and efficient cooking top on static oven.
- High efficiency flower flame burners allow for the flame to be precisely regulated and provide the proper amount of heat to pots and pans of different sizes (from a

minimum of 10cm in diameter to a maximum of 40cm diameter).

- Each burner has:
 - 5,5 kW (with continuous flame regulation from 1,1kW to 5,5kW)
 - Flame failure device to protect against accidental extinguishing of the flame.
 - Protected pilot light.
- All gas appliances are supplied for use with natural gas, LPG or town gas. Conversion jets supplied as standard.
- Gas oven with stainless steel, tubular, high efficiency, atmospheric burners positioned below the base plate and thermostat adjustable from 110°C to 270°C (110°C to 300°C for model 371173) .



Electrolux

700XP
6 Burner Freestanding Gas Ranges

- Single central burner with optimized combustion, maximum power 6 kW and flame failure device. Piezo ignition.
- Electric oven with separate thermostats for top and bottom elements. Oven thermostat adjustable from 140° to 300°C and power of 6 kW.
- Stainless steel oven chamber with 3 levels of runners to accommodate 2/1GN shelves.
- Large gas oven to have 4 levels of runners.

EASY TO MAINTAIN

- IPX4 water protection.
- The special design of the control knobs and bezels guarantees against water infiltration.

EASY ON THE ENVIRONMENT

- 98% recyclable by weight.
- CFC free packaging.

CHAB020_Copy

2011-06-29

	E7GCGL6C10 371005	E7GCGL6C20 371006	E7GCGI6CLG 371173
TECHNICAL DATA			
Power supply	Gas	Gas/Electric	Gas
External dimensions - mm			
width	1200	1200	900
depth	730	730	730
height	850	850	850
height adjustment	50	50	50
Oven cavity - mm			
width	540	540	760
depth	650	650	540
height	300	300	390
Oven			
heat input - kW	6	6	9
temperature min-max - °C	110, 270	140, 300	110, 300
Storage cupboard - mm			
width	330	330	
depth	640	640	
height	380	380	
Back burner dimensions - mm	Ø 60, Ø 60, Ø 60	Ø 60, Ø 60, Ø 60	Ø 60, Ø 60, Ø 60
Back burners power - kW	5.5, 5.5, 5.5	5.5, 5.5, 5.5	5.5, 5.5, 5.5
Front burners dimension - mm	Ø 60, Ø 60, Ø 60	Ø 60, Ø 60, Ø 60	Ø 60, Ø 60, Ø 60
Front burners power - kW	5.5, 5.5, 5.5	5.5, 5.5, 5.5	5.5, 5.5, 5.5
Power - kW			
gas	39	33	42
installed-electric		6	
Net weight - kg.	120	120	106
Supply voltage		400 V, 3N, 50/60	

700XP
6 Burner Freestanding Gas Ranges

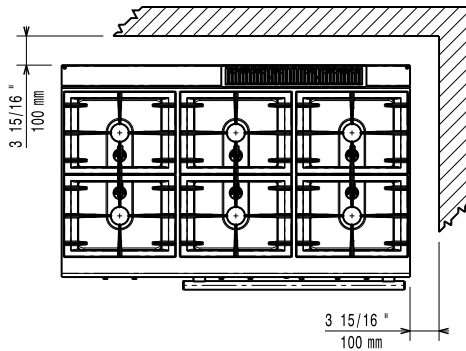
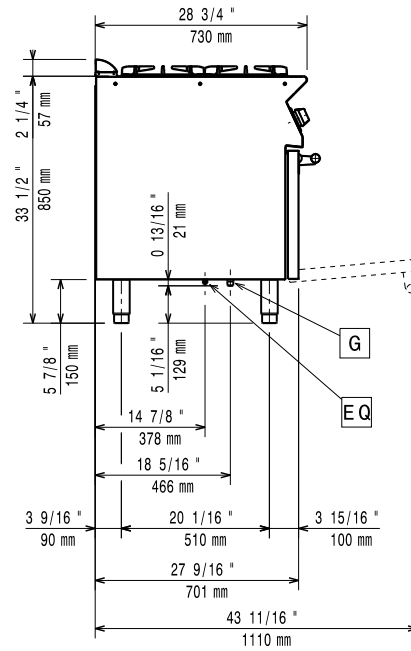
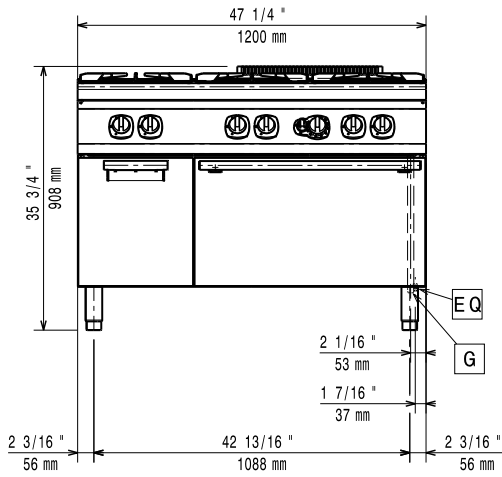
	E7GCGL6C10 371005	E7GCGL6C20 371006	E7GCGI6CLG 371173
INCLUDED ACCESSORIES			
NOT TRANSLATED	1	1	
2/1 GN CHROME GRID	1	1	
ACCESSORIES			
NOT TRANSLATED	206350	206350	
2 SIDE COVERING PANELS H=700 D=700	216000	216000	216000
2 SIDE KICKING STRIPS - 700 LINE	206249	206249	
2 SIDE KICKING STRIPS-CONCRETE INST-700	206265	206265	
2 SUPPORTS+RUNNERS- 4 GN 1/1-700 LINE FS	206244	206244	
2/1 GN CHROME GRID	164250	164250	
4 FEET FOR CONCRETE INSTALLATION	206210	206210	
4 FIXED WHEELS-6-BURN.GAS RANGE+LGE OVEN			206270
4 WHEELS (2 WITH BRAKE)	206188	206188	
CHIMNEY UPSTAND 1200MM	206306	206306	
DOUBLE BURNER RIBBED PLATE - 700 LINE	921685	921685	921685
DOUBLE BURNER SMOOTH PLATE - 700 LINE	921684	921684	921684
DRAUGHT DIVERTER WITH 150 MM DIAMETER	206132	206132	
ELECTRIC HEATING KIT FOR CUPBOARDS	206259	206259	
FLANGED FEET KIT	206136	206136	206136
FLUE CONDENSER FOR 1 MODULE DIAM.150MM	206246	206246	206246
FLUE CONDENSER FOR 1/2 MOD. DIAM.120MM			206310
FRONT.KICK.STRIP F.CONCRETE INST.1000 MM	206150	206150	
FRONT.KICK.STRIP F.CONCRETE INST.1200 MM	206151	206151	
FRONT.KICK.STRIP F.CONCRETE INST.1600 MM	206152	206152	
FRONT.KICK.STRIP F.CONCRETE INST.200 MM	206146	206146	
FRONT.KICK.STRIP F.CONCRETE INST.400 MM	206147	206147	
FRONT.KICK.STRIP F.CONCRETE INST.800 MM	206148	206148	
FRONTAL HANDRAIL 1200 MM	216049	216049	216049
FRONTAL HANDRAIL 1600 MM	216050	216050	216050
FRONTAL HANDRAIL 800 MM			216047
FRONTAL KICKING STRIP 1000 MM	206177	206177	
FRONTAL KICKING STRIP 1200 MM	206178	206178	
FRONTAL KICKING STRIP 1600 MM	206179	206179	
FRONTAL KICKING STRIP 200 MM	206174	206174	
FRONTAL KICKING STRIP 400 MM	206175	206175	
FRONTAL KICKING STRIP 800 MM	206176	206176	
LARGE HANDRAIL(PORIONING SHELF)400 MM	216185	216185	216185
LARGE HANDRAIL(PORIONING SHELF)800 MM	216186	216186	216186
MATCHING RING FOR FLUE CONDENSER 150DIAM	206133	206133	
PRESSURE REGULATOR FOR GAS UNITS	927225		927225
S/S GRID FOR DOUBLE BURNER-700 LINE	206297	206297	
SIDE HANDRAIL-RIGHT/LEFT HAND-700 LINE	206240	206240	206240
SINGLE BURNER RADIANT PLATE - 700 LINE	206264	206264	
SINGLE BURNER RIBBED PLATE - 700 LINE	206261	206261	
SINGLE BURNER SMOOTH PLATE - 700 LINE	206260	206260	
WATER COLUMN EXTENSION FOR 700 LINE	206291	206291	
WATER COLUMN WITH SWIVEL ARM	206289	206289	

CHAB020_Coppy

2011-06-29

700XP
6 Burner Freestanding Gas Ranges

371005



597857L00

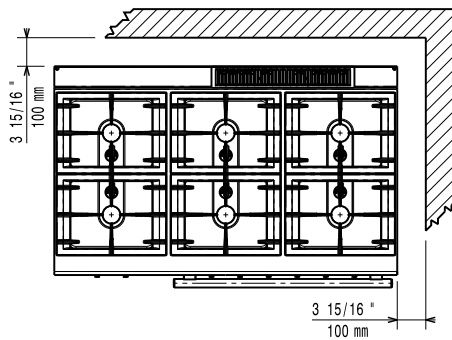
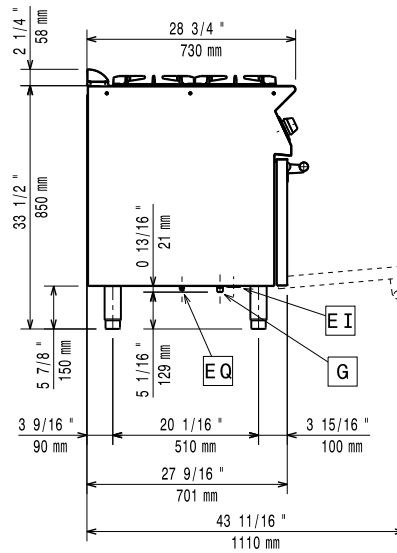
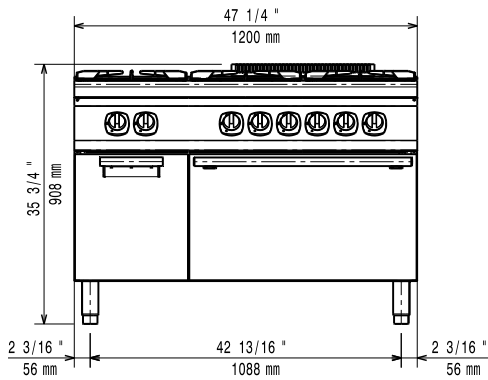
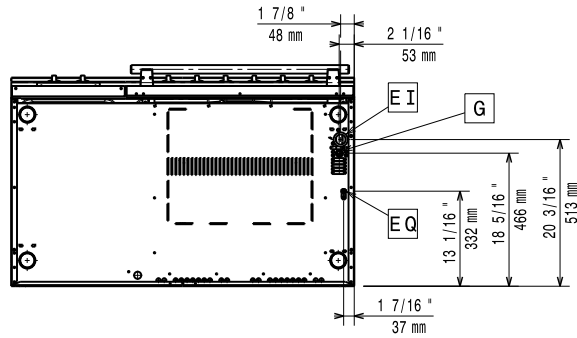
CHAB020_Copy

2011-06-29

LEGEND G - Gas connection	E7GCGL6C10 371005
	1/2"

**700XP
6 Burner Freestanding Gas Ranges**

371006



597857N00

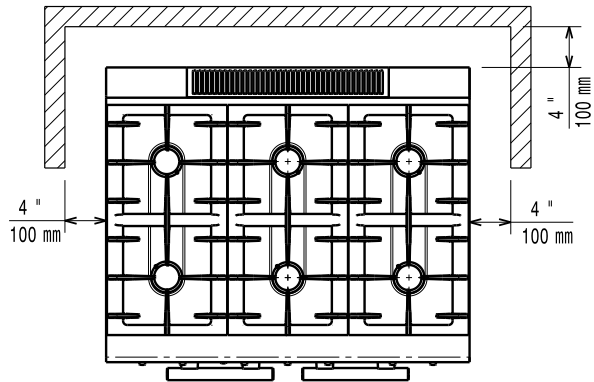
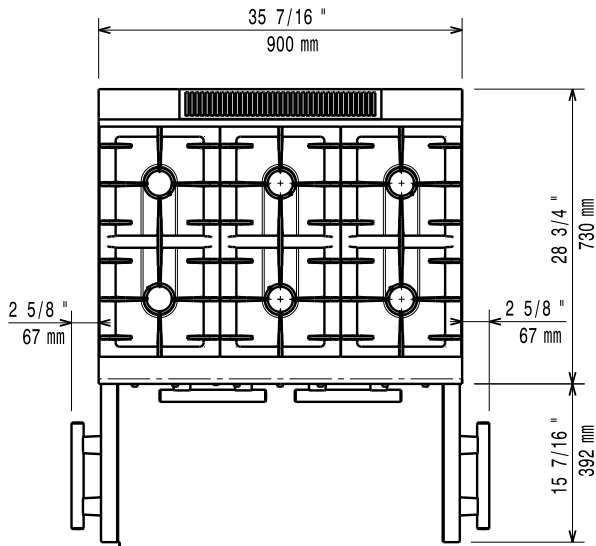
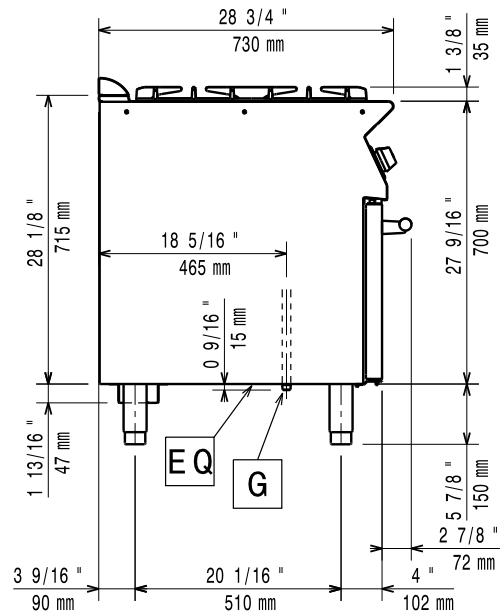
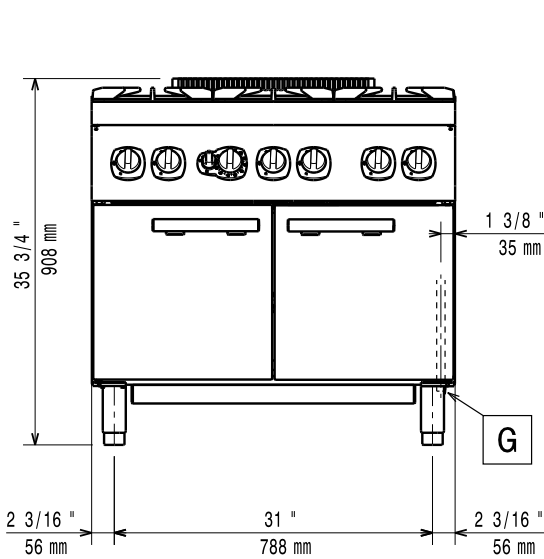
CHAB020_Copy

2011-06-29

LEGEND EI - Electrical connection G - Gas connection	E7GCGL6C20 371006
	400 V, 3N, 50/60 1/2"

700XP
6 Burner Freestanding Gas Ranges

371173



LEGEND

G - Gas connection

E7GCGI6CLG
371173

1/2"

CHAB020_Copy

2011-06-29