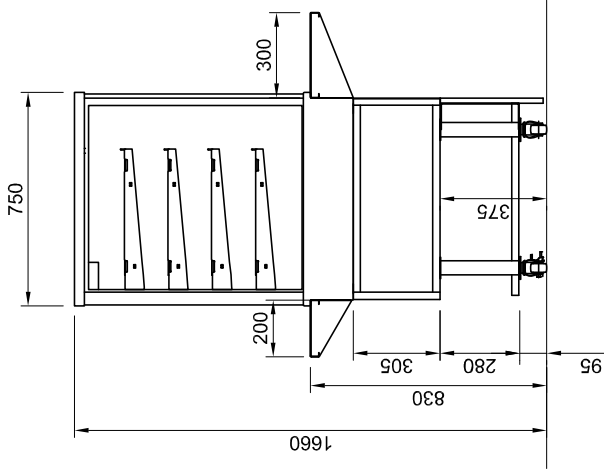


## SELF SERVICE SYSTEM

- Each unit is self contained
- Roll-in - Roll-out
- Install in minutes
- No on site joinery work required
- Ease of cleaning and servicing
- Mobile and flexible
- Easy to upgrade front panel design
- Custom branding strip
- Rear service or against wall
- All parts as optional component kits
- Ideal solution for temporary events



- Optional bottom shelf kit for chilled units
- Ensure chilled units are kept well ventilated
- Vent required through front panel
- Optional bottom meltica shelf kit - BY OTHERS



- Optional rear loading shelf kit 200mm deep
- Optional bottom meltica shelf kit - BY OTHERS

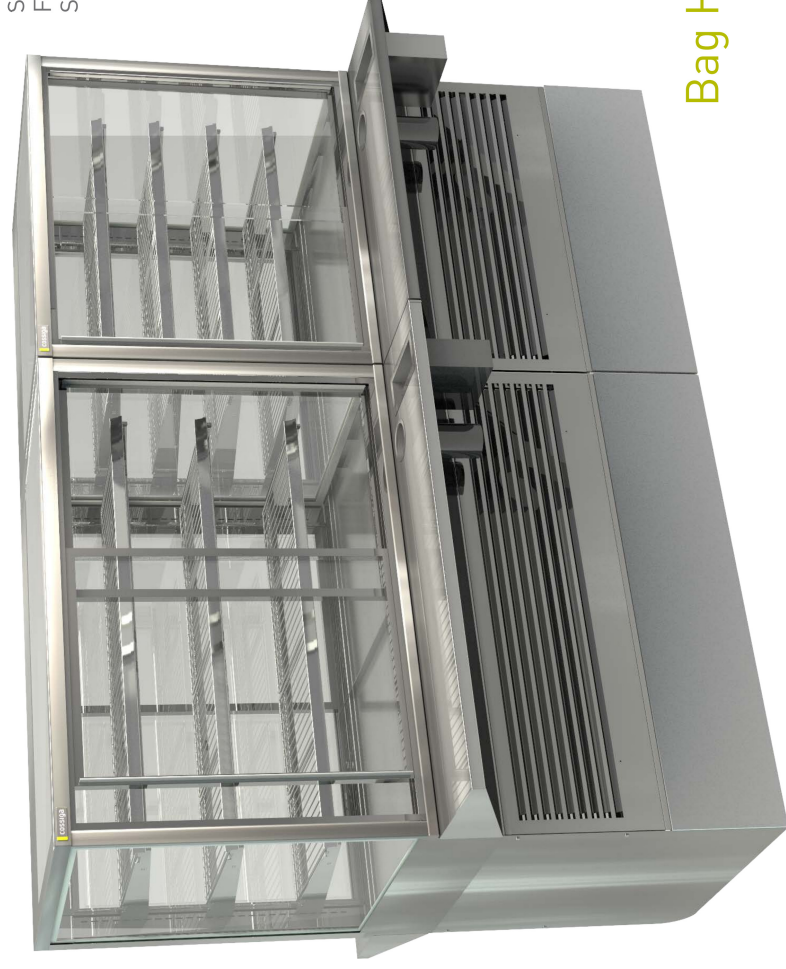
## Top Mounted Controller Panel

For against wall installations  
Sold individually



## Price Tags

Stainless Steel  
Write on with marker or adhesive tape  
Measure 60mm x 30mm  
Sold in packs of 20



## Base Tray - Heated Units

Stainless Steel  
For heated units  
Sold in pairs

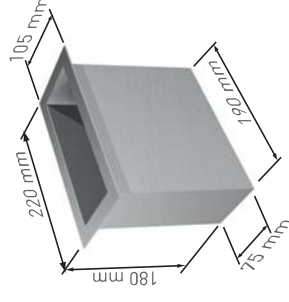


## Tong Holder

Stainless Steel  
Drop into counter tray race  
Sold individually

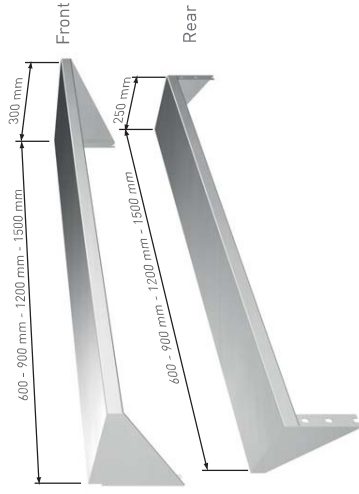


## Bag Holder



## Front and Rear Work Shelves

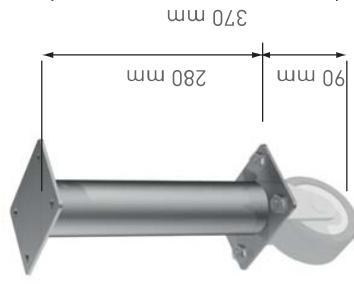
Stainless Steel  
Sold individually



## Castor Extension Kit

Increases cabinet height to  
1660mm

Set of four, uses existing  
castors, includes fixing  
bolts and washers



## Humidity Dish

Stainless Steel  
Perforated lid is removable

