



## Modular Cooking Range Line 900XP 4-Hot Plates Electric Boiling Top

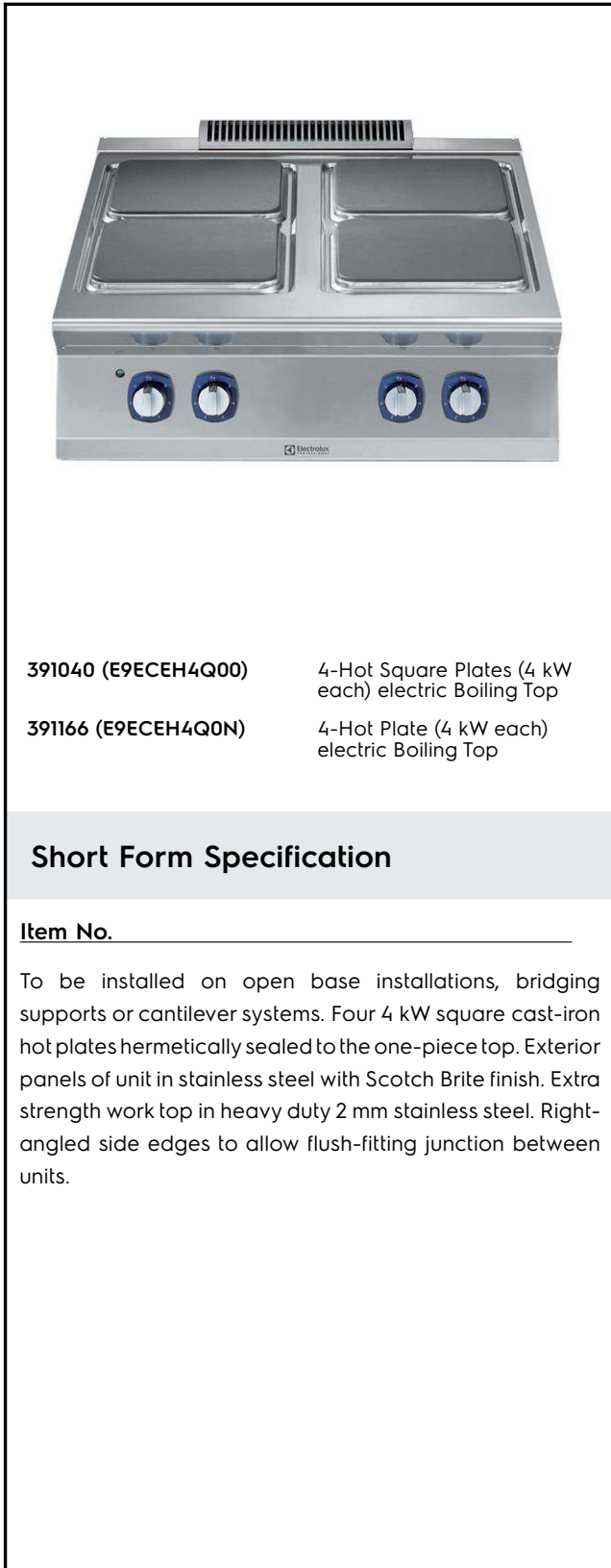
ITEM # \_\_\_\_\_

MODEL # \_\_\_\_\_

NAME # \_\_\_\_\_

SIS # \_\_\_\_\_

AIA # \_\_\_\_\_



391040 (E9ECEH4Q00)

4-Hot Square Plates (4 kW each) electric Boiling Top

391166 (E9ECEH4Q0N)

4-Hot Plate (4 kW each) electric Boiling Top

### Short Form Specification

Item No. \_\_\_\_\_

To be installed on open base installations, bridging supports or cantilever systems. Four 4 kW square cast-iron hot plates hermetically sealed to the one-piece top. Exterior panels of unit in stainless steel with Scotch Brite finish. Extra strength work top in heavy duty 2 mm stainless steel. Right-angled side edges to allow flush-fitting junction between units.

### Main Features

- Unit to be mounted on open base cupboards, bridging supports or cantilever systems.
- The four 4kW cast-iron plates are hermetically sealed to the one-piece top. Hot plates with a power of 4kW for each plate.
- The special design of the control knob system guarantees against water infiltration.
- IPX5 water protection.
- Top configuration allows installation on ambient base only (not possible to install on refrigerated nor freezer base).
- Suitable for countertop installation.

### Construction

- Unit is 930 mm deep to give a larger working surface area.
- All exterior panels in Stainless Steel with Scotch Brite finishing.
- AISI 304 stainless steel worktop, 2mm thick.
- Model has right-angled side edges to allow flush fitting joints between units, eliminating gaps and possible dirt traps.

APPROVAL: \_\_\_\_\_

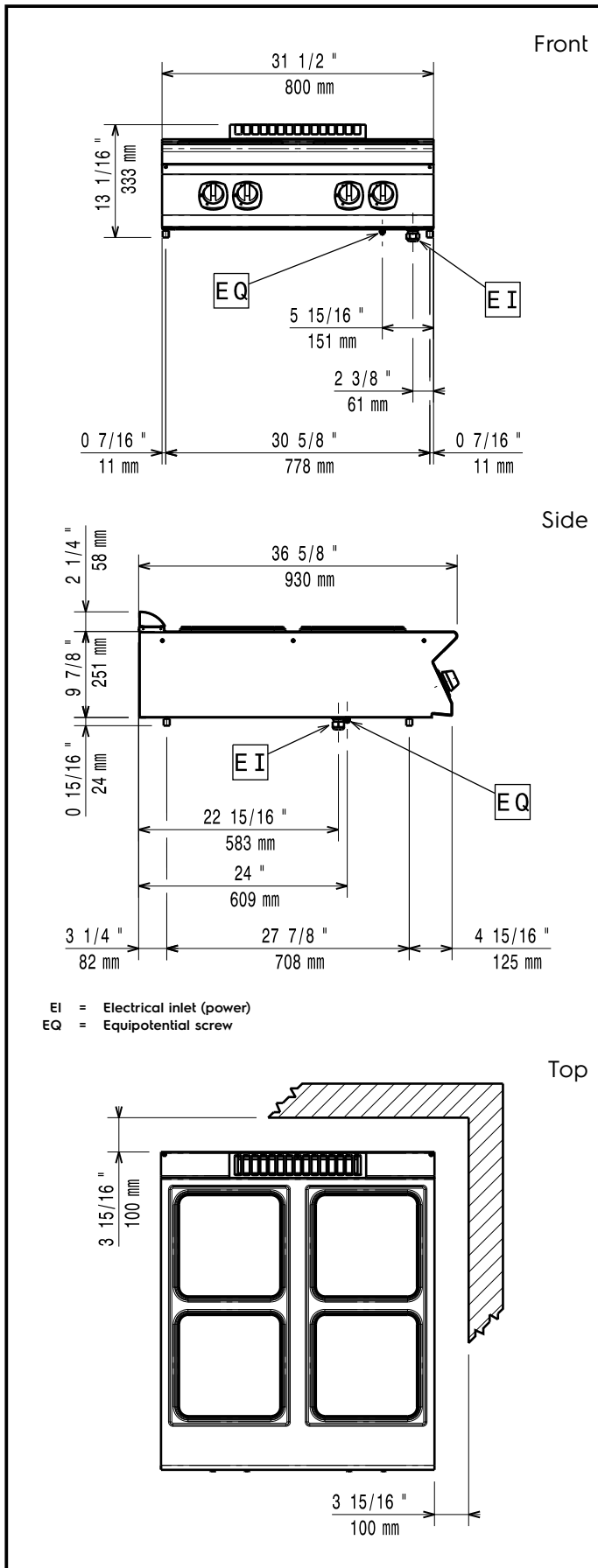


Experience the Excellence  
[www.electroluxprofessional.com](http://www.electroluxprofessional.com)

Modular Cooking Range Line  
900XP 4-Hot Plates Electric Boiling Top

**Optional Accessories**

- |  |            |                          |
|--|------------|--------------------------|
| • Pair of cast iron plate bars for electric cooking top              | PNC 206056 | <input type="checkbox"/> |
| • Junction sealing kit   | PNC 206086 | <input type="checkbox"/> |
| • Support for bridge type installation, 800mm                        | PNC 206137 | <input type="checkbox"/> |
| • Support for bridge type installation, 1000mm                       | PNC 206138 | <input type="checkbox"/> |
| • Support for bridge type installation, 1200mm                       | PNC 206139 | <input type="checkbox"/> |
| • Support for bridge type installation, 1400mm                       | PNC 206140 | <input type="checkbox"/> |
| • Support for bridge type installation, 1600mm                       | PNC 206141 | <input type="checkbox"/> |
| • Water column with swivel arm (water column extension not included) | PNC 206289 | <input type="checkbox"/> |
| • Water column extension for 900 line                                | PNC 206290 | <input type="checkbox"/> |
| • Chimney upstand, 800mm   | PNC 206304 | <input type="checkbox"/> |
| • Back handrail 800 mm   | PNC 206308 | <input type="checkbox"/> |
| • Back handrail 1200 mm  | PNC 206309 | <input type="checkbox"/> |
| • Chimney grid net, 400mm (700XP/900)                                | PNC 206400 | <input type="checkbox"/> |
| • Side handrail-right/left hand (900XP)                              | PNC 216044 | <input type="checkbox"/> |
| • Frontal handrail, 800mm  | PNC 216047 | <input type="checkbox"/> |
| • Frontal handrail, 1200mm   | PNC 216049 | <input type="checkbox"/> |
| • Frontal handrail, 1600mm   | PNC 216050 | <input type="checkbox"/> |
| • Large handrail - portioning shelf, 400mm (only for 391166)         | PNC 216185 | <input type="checkbox"/> |
| • Large handrail - portioning shelf, 800mm                           | PNC 216186 | <input type="checkbox"/> |
| • 2 side covering panels for top appliances                          | PNC 216278 | <input type="checkbox"/> |



## Electric

### Supply voltage:

391040 (E9ECEH4Q00)

380-400 V/3N ph/50/60 Hz

391166 (E9ECEH4Q0N)

230 V/3 ph/50/60 Hz

### Total Watts:

16 kW

### Predisposed for:

391040 (E9ECEH4Q00)

380-400V 3N- 50/60Hz  
15-16kW

## Key Information:

### Front Plates Power:

4 - 4 kW

### Back Plates Power:

4 - 4 kW

### Front Plates dimensions:

300x300 300x300

### Back Plates dimensions:

300x300 300x300

### External dimensions, Width:

800 mm

### External dimensions, Depth:

930 mm

### External dimensions, Height:

250 mm

### Net weight:

391040 (E9ECEH4Q00)

60 kg

391166 (E9ECEH4Q0N)

69 kg

### Shipping weight:

72 kg

### Shipping height:

530 mm

### Shipping width:

391040 (E9ECEH4Q00)

1020 mm

391166 (E9ECEH4Q0N)

1010 mm

### Shipping depth:

860 mm

### Shipping volume:

0.46 m<sup>3</sup>

If appliance is set up or next to or against temperature sensitive furniture or similar, a safety gap of approximately 150 mm should be maintained or some form of heat insulation fitted.

### Certification group:

391040 (E9ECEH4Q00)

EH94T

391166 (E9ECEH4Q0N)

N9CE1