



Electrolux

Modular Cooking Range Line 900XP Electric Cylindrical Boiling Pan 100lt automatic refill

ITEM # _____

MODEL # _____

NAME # _____

SIS # _____

AIA # _____



391119 (E9BSEHIPFR)

100-lt electric boiling pan with pressure switch, indirect heating, with automatic double-jacket refill

Short Form Specification

Item No. _____

To be installed on cantilever systems but also incorporates fixing points for bridging. Incoloy armoured elements with safety thermostat positioned in the jacket cavity base. Automatic water refill through electrovalve. Exterior panels of unit in stainless steel with Scotch Brite finish. Double jacketed lid made in 2mm thick AISI 316 stainless steel. Pressed well with rounded edges manufactured from AISI 316 stainless steel. Right-angled side edges to allow flush-fitting junction between units. Includes safety valve to control working pressure. Temperature limiter for power regulation allowing precise temperature cooking.

Main Features

- Round kettle is suitable to cook, sauté or poach all kinds of produce.
- Produce is uniformly heated in the base and side walls of the kettle by an indirect heating system that uses integrally generated saturated steam at a temperature of 110° C in the jacket.
- Incoloy armoured elements with safety thermostat positioned in the jacket cavity base.
- External valve allows to manually evacuate excess air accumulated in the jacket during heating phase.
- Appliance is IPX5 water resistance certified.
- Manometer allows to correctly control the functioning of the pan.
- Energy regulation through a control knob.
- Safety thermostat protects against low water level.
- Safety valve avoids overpressure of the steam in the jacket.
- No overshooting of cooking temperatures, fast reaction.
- Large capacity food tap enables safe and effortless discharging of contents.
- Firmly fitting cover to reduce cooking time and save energy costs.
- Ergonomic: the depth of the vessel facilitates stirring the food, also the most delicate food.
- Discharge tube and tap are very easy to clean from outside.
- Closed heating system - no waste of energy.
- Solenoid valve automatically refills vessel with water.
- Smooth large surfaces, easy access for cleaning.
- Pressure switch control monitors energy and water consumption.
- The special design of the control knob system guarantees against water infiltration.

Construction

- Kettle shall be double jacketed including high quality thermal insulation of the pan, saving energy and keeping ambient temperature low.
- Pressed cooking vessel and double jacket in 316 AISI Stainless steel.
- All exterior panels in Stainless Steel with Scotch Brite finishing.
- Model has right-angled side edges to allow flush fitting joints between units, eliminating gaps and possible dirt traps.
- Usable capacity of the well 85 liters.

Included Accessories

- 1 of Water additive against corrosion for indirect boiling pans PNC 927222

Optional Accessories

- Junction sealing kit PNC 206086

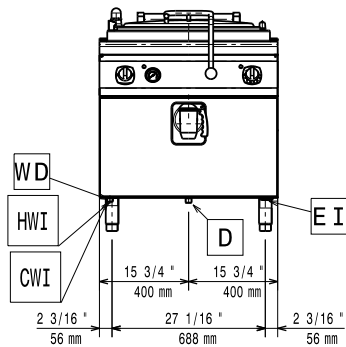
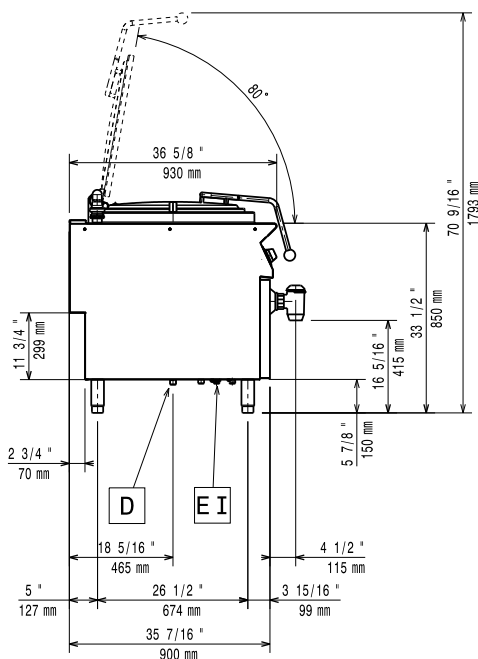
APPROVAL: _____



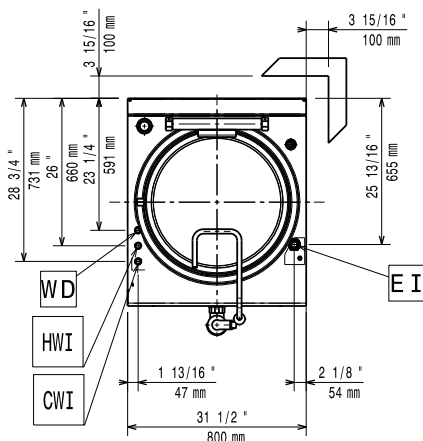
Electrolux

Modular Cooking Range Line
900XP Electric Cylindrical Boiling Pan 100lt automatic refill

- Kit 4 wheels - 2 swivelling with brake
- it is mandatory to install base
support and wheels PNC 206135
- Flanged feet kit PNC 206136
- Frontal kicking strip for concrete
installation, 800mm PNC 206148
- Frontal kicking strip for concrete
installation, 1000mm PNC 206150
- Frontal kicking strip for concrete
installation, 1200mm PNC 206151
- Frontal kicking strip for concrete
installation, 1600mm PNC 206152
- Frontal kicking strip, 800mm (not for
refr-freezer base) PNC 206176
- Frontal kicking strip, 1000mm (not for
refr-freezer base) PNC 206177
- Frontal kicking strip, 1200mm (not for
refr-freezer base) PNC 206178
- Frontal kicking strip, 1600mm (not for
refr-freezer base) PNC 206179
- Pair of side kicking strips (not for
refr-freezer base) PNC 206180
- 2 panels for service duct for single
installation PNC 206181
- 2 panels for service duct for back to
back installation PNC 206202
- Kit 4 feet for concrete installation
(not for 900 line free standing grill) PNC 206210
- Kit for automatic depressuring of the
double jacket for 100/150 lt indirect
and autoclave boiling pans PNC 206279
- Chimney upstand, 800mm PNC 206304
- Base support for feet or wheels -
800mm (700/900) PNC 206367
- Base support for feet or wheels -
1200mm (700/900) PNC 206368
- Base support for feet or wheels -
1600mm (700/900) PNC 206369
- Base support for feet or wheels -
2000mm (700/900) PNC 206370
- Rear paneling - 800mm (700/900) PNC 206374
- Rear paneling - 1000mm (700/900) PNC 206375
- Rear paneling - 1200mm (700/900) PNC 206376
- 2 side covering panels for free
standing appliances PNC 216134
- Filter for total demineralization PNC 864367
- Trolley with lifting & removable tank PNC 922403
- 2-section universal basket for 100lt
boiling pans PNC 925018
- Water additive against corrosion for
indirect boiling pans PNC 927222

Front

Side


- CWI = Cold Water inlet 1
- D = Drain
- EI = Electrical inlet (power)
- HWI = Hot water inlet

Top

Electric

Supply voltage:	391119 (E9BSEHIPFR)	380-400 V/3N ph/50/60 Hz
Total Watts:		21.5 kW
Predisposed for:		380-400V 3N- 50/60Hz
		19,5-21,5kW

Key Information:

Pan useful capacity:	100 lt
Vessel (round) diameter:	600 mm
Shipping weight:	124 kg
Shipping height:	1230 mm
Shipping width:	1110 mm
Shipping depth:	860 mm
Shipping volume:	1.17 m ³

No clearance needed on rear sides of unit if wall is of non combustible type. If wall is combustible, minimum 50 mm wall clearance should be maintained.