

Premium Range Compact Undercounter Glass-Dishwasher - 450

FK45E



Compact and reliable, the KASTEL FK45E multi-function under counter Glass-Dishwasher is the top of the range thanks to its construction technologies that guarantees highly efficient and hygienic washing results with every cycle.

The **FK45E** glass-dishwasher with its **double skinned door** that allows for quieter operation is an ideal solution for front of house use.

Whether glasses or dishes, the supplied racks take all sized objects up to 450x450x305(h)mm, ensuring a maximum productivity of **960 glasses/hour** or **840 plates/hour** - perfect for bars, restaurants and cafes.

Water consumption is highly efficient using only 2 litres per cycle, regardless of the wash cycle time. The **Thermo-stop** function ensures that the washing and rinsing only starts when the desired temperature is reached.

The standard **double peristaltic electric rinse-aid and detergent dispenser** ensures the best result from each wash cycle with great savings thanks to the precise dosage.

PRODUCT FEATURES

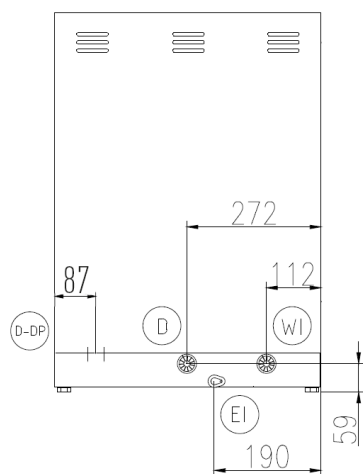
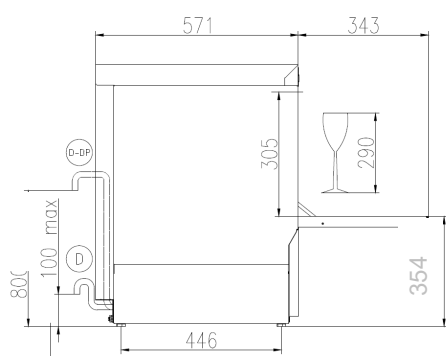
- Electronic controls with LCD display
- Rack size 450x450mm
- Dimensions (WxDxH): 505x571x760 mm
- Washing cycles: 90, 120, 180, 540 sec
- Material: Body A ISI 304 stainless steel
- Top and bottom wash/rinse arms - easily removable
- Wash pump filter - easily removeable
- Boiler in s/s AISI 316 capacity: 5.5 Ltr
- Tank capacity: 18 Ltr
- 2 Litre per cycle water consumption
- Magnetic door microswitch
- Automatic water filling
- Double detergent and rinse dispenser
- Hot rinse
- Preformed wash tank and rack guides
- Thermo-stop function
- PRS system - atmospheric boiler + Break tank & rinse pump
- Green function for energy saving
- Automatic end-of-day self-cleaning water tank
- Double skinned door and partial double skinned body for quieter operation and better heat insulation
- Washing pump with "Soft-Start"
- Built-in drain pump
- Made in Italy



Complete with built in drain, rinse, detergent and rinse aid pumps and backflow prevention by break-tank.

Comes with one glass rack 450x450x100mm, one Plate dish rack 450x450x100mm and cutlery container

Premium Range Compact Undercounter Glass-Dishwasher - 450



4.55kW - 1 Ph - 20A
Options:
 - 6.55kW - 1 Ph - 32A
 - 6.55kW - 3 Ph
L= 2000mm



G3/4" M
L= 1300mm



Ø29
L=2000mm

TECHNICAL FEATURES	FK45E
Dimensions - WxDxH (mm)	505x571x760
Rack dimensions (mm)	450 x 450
Productivity per hour max - (+55°C)	960 glasses/hour
Height glass max	290mm
Body construction	Entirely AISI304 stainless steel
Double-walled door	Yes
Rinsing and washing arms	Stainless steel
Stainless steel filters	Yes
Tank heating element - Tank capacity	2.4kW - 18lt
Boiler heating element - Boiler capacity	6kW - 5.5lt
Washing pump power	0.55kW
Total power	6.55kW - 32A or (4.55kW - 20A)
Input voltage options	20 A, 1 Ph - 4.55kW or 32 A, 1 Ph - 6.55kW or 3 Ph - 6.55kW
Recommended inlet water temperature	+50°C
Water hardness	5±20 °f
Water consumption per cycle (inlet suggested pressure 2 BAR)	2,0lt
Adjustable detergent and rinse-aid dispenser	ELECTRIC
Drain pump	Yes
Rinse pump	Yes
Rinse cycle on demand	Yes
Energy - Saving device	Yes
Backflow prevention	Break-tank
Control panel	Electronic with LCD display
Washing cycles	90/120/180/540 sec. or customized timing
Self-diagnostic system	Yes
Self-cleaning cycle	Yes
Supplied with	1 x cutlery container, 1 x glass rack, 1 x dish rack