

## P1R, P2R Rack Prover

### Product Features

- Full stainless steel construction internal and external
- Swing door fitted as standard
- Easy to use electronic panel
- Fitted with floor as standard
- Accommodates 750mm x 525mm racks
- Humidity adjustable up to 100%
- Temperature adjustable up to 40°C



P1R

## P1R, P2R Rack Prover



Australia  
www.moffat.com.au  
New Zealand  
www.moffat.co.nz

Australia  
Moffat Pty Limited

Victoria/Tasmania  
740 Springvale Road  
Mulgrave, Victoria 3170  
Telephone 03-9518 3888  
Facsimile 03-9518 3833  
vsales@moffat.com.au  
www.moffat.com.au

New South Wales  
Telephone 02-8833 4111  
nswsales@moffat.com.au

South Australia  
Telephone 03-9518 3888  
vsales@moffat.com.au

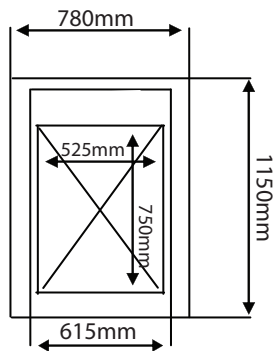
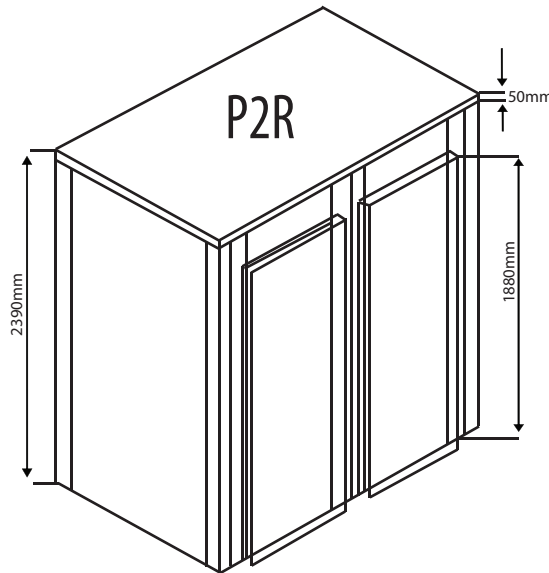
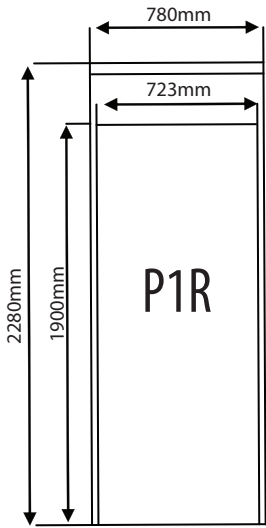
Queensland  
Telephone 07-3630 8600  
qldsales@moffat.com.au

Western Australia  
Telephone 08-9202 6820  
bgarcia@moffat.com.au

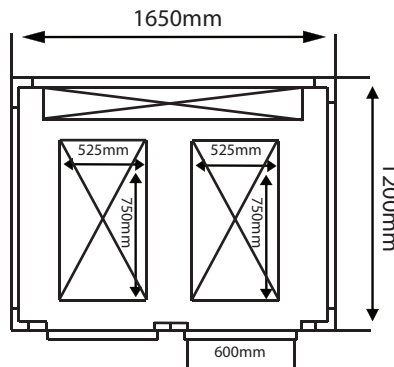
New Zealand  
Moffat Limited

Christchurch  
16 Osborne Street  
Christchurch 8011  
Telephone 03-389 1007  
Facsimile 03-389 1276  
sales@moffat.co.nz

Auckland  
Telephone 09-574 3150  
sales@moffat.co.nz



Door opening direction



Digital Control Panel



Model	Width	Depth	Height	Electrical Requirements	Capacity
P23	780mm	1150mm	2280mm	240V, 1P+N+E, 50Hz, 15amp	1 rack
P2R	1860mm	1200mm	2390mm	400-415V, 3P+N+E, 50Hz, 20amp	2 racks

### Additional Technical Information

Dimensions EXCLUDE all protrusions - door handles, drain exits etc...

Minimum Ceiling Height required - 2850mm

Units require the following:

- Drain Outlet
- 1/2" BSP Inlet

