

**Digital Cabinets**  
**4-door Back Bar Refrigerator, glass**  
**doors, +2+8°C, black prepainted/AISI**  
**304, R290**

ITEM # \_\_\_\_\_

MODEL # \_\_\_\_\_

NAME # \_\_\_\_\_

SIS # \_\_\_\_\_

AIA # \_\_\_\_\_


**790522 (ABBGR4A)**

4-door Back Bar Refrigerator, glass doors, +2+8°C, black prepainted/AISI 304, R290 - ASIA

### Short Form Specification

**Item No.** \_\_\_\_\_

4 glass doors back bar counter. Built-in refrigeration unit. External doors, top, back and side panels in prepainted black stainless steel, matt finishing. Internal LED light for perfect internal visibility. Low energy consumption thanks to high efficiency components, insulation and optimized airflow. Digital control panel. Completely automatic defrosting and automatic evaporation of defrost water. Temperature range: +2+8° C. CFC and HCFC free. R290 refrigerant gas for the lowest environmental impact - CFC and HCFC free. Self closing doors and magnetic door seal to guarantee perfect closure.

### Main Features

- Completely automatic defrosting and automatic evaporation of defrost water.
- Removable triple air chamber gasket to guarantee hygiene and perfect insulation.
- Forced air circulation for rapid cooling and an even temperature distribution.
- Internal LED light for perfect internal visibility.
- Lockable doors.
- Digital control panel for temperature and parameter setting as well as to activate defrosting when necessary.
- Performance guaranteed at ambient temperatures of +38°C.
- Hydrocarbon refrigerant gas for the lowest environmental impact - CFC and HCFC free.
- Electronics resistant to high voltage peaks.
- Coated finned evaporator with anti-corrosion treatment to avoid corrosion and to guarantee everlasting operation.
- Low energy consumption thanks to high efficiency components, insulation and optimized airflow.
- Adjustable temperature range from +2 °C to +8 °C to suit meat, fish and dairy storage requirements.
- HACCP compliant digital control: when temperature exceeds critical limits, acoustic and visual alarms are activated.
- Door frame heater avoids condensation build-up around the door frame.

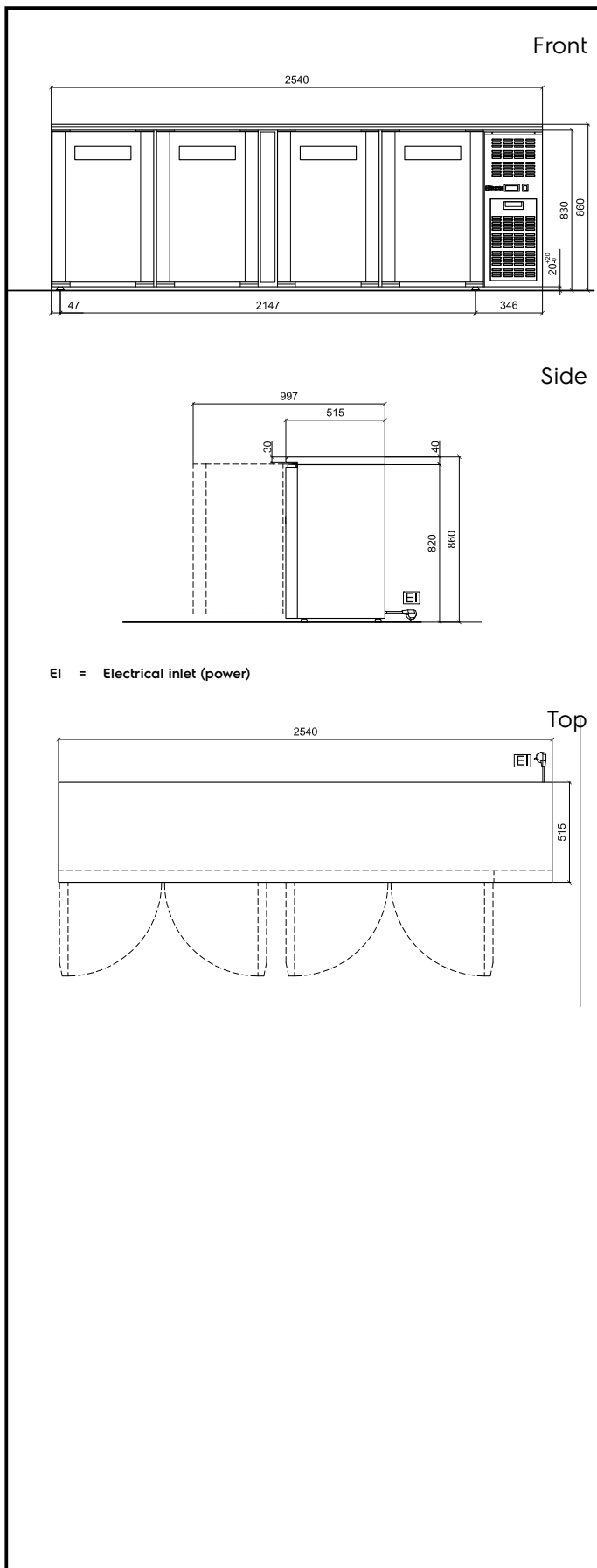
### Construction

- CFC and HCFC-free insulation.
- Developed and produced in ISO 9001 and ISO 14001 certified factory.
- Rounded internal corners for ease of cleaning.
- Built-in compressor.
- Magnetic door seal to guarantee perfect closure.
- External doors, top, back and side panels in prepainted black stainless steel, matt finishing.
- Self closing doors.

**APPROVAL:** \_\_\_\_\_

### Optional Accessories

- Kit of 2x½ drawers for Back Bar Refrigerators PNC 880650
- Kit of 3x½ drawers for Back Bar Refrigerators PNC 880651
- Shelf for Back Bar Refrigerator, for 3-door left compartment and 4-door central compartments PNC 880667
- Shelf for Back Bar Refrigerator, for 4-door external compartments PNC 880668



### Electric

#### Supply voltage:

790522 (ABBGR4A) 220/240 V/1N ph/50 Hz

#### Electrical power max.:

0.456 kW

### Key Information:

**Gross capacity:** 618 lt

**External dimensions, Width:** 2540 mm

**External dimensions, Height:** 860 mm

**External dimensions, Depth:** 535 mm

**External dimensions, Depth**

**with Doors Open:** 997 mm

**Number and type of doors:** 4 Glass

**Number and type of grids (included):** 8 - 460x340

**Type of external material:** Black Prepainted Steel

**Type of internal material:** White Prepainted Steel

### Refrigeration Data

**Compressor power:** 1 hp

**Refrigerant type:** R290

**Operating temperature min.:** 2 °C

**Operating temperature max.:** 8 °C

**Operating mode:** Ventilated