

# Classe 5 USB Tall

## RANCILIO CLASSE 5 USB TALL 2 GROUP COMPACT



### STANDARD FEATURES

- Tall deck accommodates tall cups up to 145mm in height includes retractable tray for espresso cups
- Steady Brew patented heat exchanger technology for outstanding temperature control
- Single hot water tap with manual operation
- Ergonomic filter holder for comfortable all-day operation
- C-Lever – quarter turn steam tap features two positions: purge (down) or fully open (up)
- Hydro hub – integrated manifold for precise water delivery and distribution
- Multifunction onboard computer and USB port for simple programming and data transfer
- Independent water pump and steam pressure control gauges keep you in control
- Built-in volumetric rotary vane water pump for simple and safe installation
- Steam boiler pressure control with mechanical pressure stat
- Automated cleaning programme simplifies your daily clean

### OVERALL CONSTRUCTION

- Hand rolled copper steam boiler
- Brushed stainless steel front and rear panels
- Anthracite black ABS nylon side panels
- Adjustable feet with optional extensions

### CONTROLS

- Soft-touch keypads with 4 programmable drink dosing pre-sets for easy espresso preparation
- White LED backlights easy to read keypad buttons
- Two manual steam wands for frothing and steaming milk

### CLEANING AND MAINTENANCE

- Scratch proof polymer drain insert, dishwasher safe
- Easy Clean manages the cleaning process of group heads to perform automatically
- Genuine cleaning products sold separately

### INCLUDES

- 1 x Single group handle
- 1 x Single filter basket – 16g
- 2 x Double group handle
- 2 x Double filter basket – 22g
- 1 x Rubber blind filter disc
- 1 x Group head cleaning brush
- User manual / Warranty card

### MATCHING PRODUCTS



CLASSE 5 USB  
TALL 1 GROUP



CLASSE 5 USB  
TALL 2 GROUP



CLASSE 5 USB  
TALL 3 GROUP



CLASSE 7 USB  
TALL 2 GROUP



CLASSE 7 USB  
TALL 2 GROUP iSTEAM



CLASSE 7 USB  
TALL 3 GROUP



KYRO 65

# Classe 5 USB Tall

## RANCILIO CLASSE 5 USB TALL 2 GROUP COMPACT

### TECHNICAL INFORMATION

#### Dimensions

Width:	611mm
Depth:	539mm
Height:	520mm
Nett weight:	50kg
Boiler Capacity:	5 litres

#### ELECTRICAL

Power requirements: 240V, 1P+N+E,  
50/60Hz, 2.75kW, 15A cordset fitted  
Boiler Power: 3kW



### RANCILIO WATER SPECIFICATION

Optimum Parameter	Measurement Range
	Never more than 50 PPM more than to Total Hardness
TDS <135	
Carbonate Hardness 50 ppm	40-90 ppm
Total Hardness 85 ppm	50-100 ppm
pH (ideal) 7	6.5 – 8.5
Chlorides Cl -	< 30 ppm

### WATER CONNECTIONS

Connection point: Mains cold water - 3/8" BSP  
Flow pressure: 200kPa -500kPa, min 4L/min

### INSTALLATION CLEARANCE

- Allow 152.4mm / 6" clearance on all sides of the machine.
- Allow 609mm x 127mm / 24" x 5" for in-line filter. Filter can be mounted behind the machine or under the counter.
- Allow a minimum of 3" (762 mm) clear space under filter to facilitate filter change.
- All services to be within 1m of machine placement
- Always refer to installation manual



Australia

[www.moffat.com.au](http://www.moffat.com.au)

New Zealand

[www.moffat.co.nz](http://www.moffat.co.nz)

Australia

Moffat Pty Limited

Victoria/Tasmania  
740 Springvale Road  
Mulgrave, Victoria 3170  
Telephone +61 3-9518 3888  
Facsimile +61 3-9518 3833  
[vsales@moffat.com.au](mailto:vsales@moffat.com.au)

New South Wales

Telephone +61 2-8833 4111  
[nswsales@moffat.com.au](mailto:nswsales@moffat.com.au)

South Australia

Telephone +61 8-9518 3888  
[vsales@moffat.com.au](mailto:vsales@moffat.com.au)

Queensland

Telephone +61 7-3630 8600  
[qldsales@moffat.com.au](mailto:qldsales@moffat.com.au)

Western Australia

Telephone +61 8-9413 2400  
[wasaless@moffat.com.au](mailto:wasaless@moffat.com.au)

New Zealand

Moffat Limited

Christchurch  
45 Illinois Drive  
Izone Business Hub  
Rolleston 7675  
Telephone +64 3-983 6600  
Facsimile +64 3-983 6660  
[sales@moffat.co.nz](mailto:sales@moffat.co.nz)

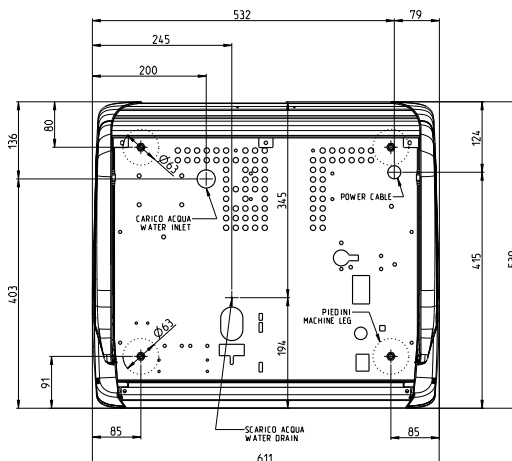
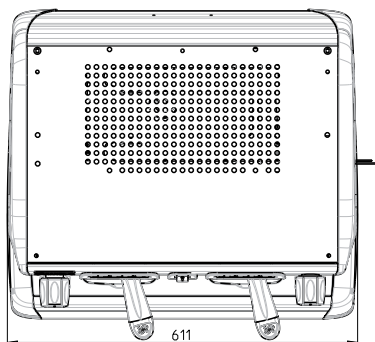
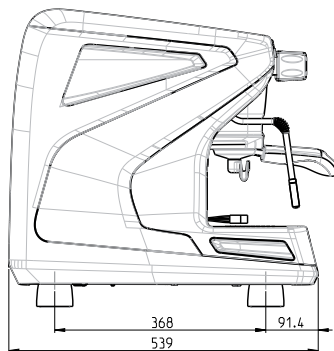
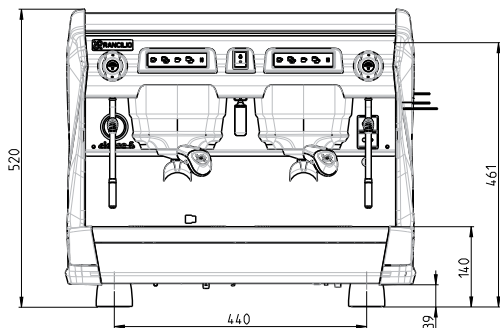
Auckland

Telephone +64 9-574 3150  
[sales@moffat.co.nz](mailto:sales@moffat.co.nz)



In line with policy to continually develop and improve its products, Moffat Limited reserves the right to change specifications and design without notice.

© Copyright Moffat Ltd  
AN.RAN.2101



Specifications may vary between models

an Ali Group Company



The Spirit of Excellence