

iSensor TABLETOP

TECHNICAL SPECIFICATIONS



	iSensor S	iSensor M		iSensor L	
Exterior measurements (width x depth x height) (mm)	388x546x389	475x616x438		620x626x453	
Lid	Dome	Dome		Dome	
Opening system	Automatic	Automatic		Automatic	
Chamber measurements (width x depth x height) (mm)	328x385x162	412x453x200		560x465x210	
Busch vacuum pump (m ³ /h)	8 Becker/Busch	16 Becker/Busch		20 Becker/Busch	
Sealing bar position					
Approximate vacuum cycle (seconds)	40	30		40	
Sealing bar length (mm)	315	405	405 + 405	455	455 + 455
Weight (kg)	36	48,5	55	64	67
Gross weight (kg)	43	62	64,5	76,5	78
Packaging dimensions (width x depth x height) (mm)	626 x 528 x 640	695 x 615 x 660		825 x 765 x 660	
Power (kW)	0,96	0,85	1,7	1,2	1,5
Voltage (V/Ph/Hz)	230/L+N/50-60	230/L+N/50-60		230/L+N/50-60	
Lubricating oil	ISO VG 32 food grade	ISO VG 32 food grade		ISO VG 32 food grade	
Inert gas	Optional	Optional		Optional	

GENERAL SPECIFICATIONS

LCD control panel
 10 programmes
 Bluetooth 4.0 connection
 Removable sealing bar without connections
 Equipped to use the external vacuum accessory
 Soft Air. Delicate food packaging
 Stop function. Possibility to block the vacuum packer for a certain amount of time or for as long as the user wishes
 AutoClean Oil. Oil self-cleaning system
 SCS (Self Calibration System). Patented system that automatically calibrates the vacuum packaging machine
 MCV (Multi Cycle Vacuum). Repetition of consecutive vacuum cycles
 Vacuum Standby. Maintains the vacuum inside the chamber indefinitely
 Sensor-controlled vacuum
 Vac+ . Extra vacuum for porous foods
 Equipped with iVac and iSeal patents enabling perfect unsupervised packing
 Double sealing for greater security (2x3 mm)
 Equipped with interior polyethylene plate
 Made of AISI 304 18/10 stainless steel
 Well with rounded edges for easy cleaning
 Transparent methacrylate lid allows viewing the food being packed
 Side display for checking the oil level
 Automatic mode
 IOS and Android app to control the programmes and manage the label printing

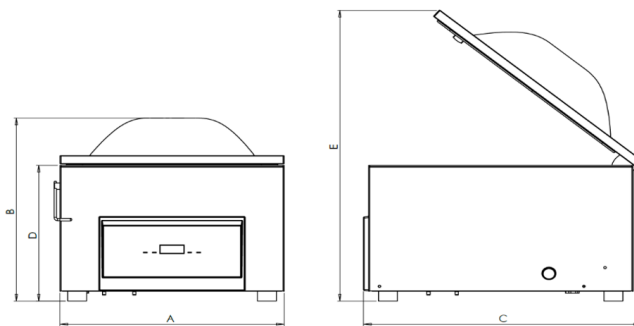
OPTIONS

Becker / Busch vacuum pump
 Inert gas connection

ACCESSORIES

External vacuum kit
 Support with wheels
 Vacuum pump oil
 Vacuum bags for conservation
 Vacuum cooking bags
 Foam for core probe
 Polyethylene food grade sheet
 Vacuum bag filling cylinder
 Accessory for liquid packaging
 Thermal adhesive label printer with Bluetooth LE 4.0
 Thermal adhesive labels
 GN vacuum tanks
 Covers for GN vacuum tanks

INSTALATION DETAILS



	S	M	L
Dimension A (mm)	388	475	620
Dimension B (mm)	389	438	453
Dimension C (mm)	546	616	626
Dimension D (mm)	325	325	325
Dimension E (mm)	650	696	702